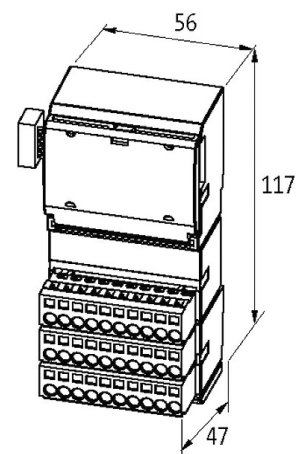


**CUBE20 AI4 U/I**

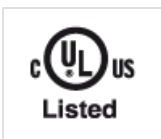
Expansion module

AI4 - (E) I

Voltage/current

**Illustration**

Product may differ from Image

**Approvals****Input**

Conversion time (analog)	max. 2 ms (per channel)
Resolution (analog)	15 Bit + sign
Accuracy	max. 0.3%
Connection	Differential voltage/current input

**Internal communication**

Module supply	via system connection
Current consumption	max. 25 mA from system, max. 60 mA externally (UI)

**Connections**

Fieldbus	Ribbon cable connection
Sensor-system/actuator supply	4× spring clamp plug-in terminals, max. 2.5 mm <sup>2</sup> (max. 12 A)
I/O ports	24× spring clamp plug-in terminals, max. 2.5 mm <sup>2</sup>

**General data**

Protection	IP20
Mounting method	DIN-rail mountable (EN 60715)
Temperature range	0...+55 °C (storage temperature -40...+85 °C)
Dimensions H×W×D	117×56×47 mm

**Diagnostic**

Communication status	via LED
Diagnostic via LED	per module
Diagnostic via BUS	per module and channel
Monitoring - under voltage	yes
Monitoring - no voltage	no
Short-circuit and overload	yes
Wire break upper/lower limit overload	per channel via LED and BUS

**Voltage inputs**

Input resistor	min. 1 MΩ, (EN 61131-2)
Input range	±10 V DC, 0...10 V DC

**Current input signals**

Load	max. 300 Ω (20 mA), (EN 61131-2)
Input range	0...20 mA, 4...20 mA

**Commercial data**

country of origin	DE
customs tariff number	85176200
EAN	4048879049238
eClass	27242601
Packaging unit	1